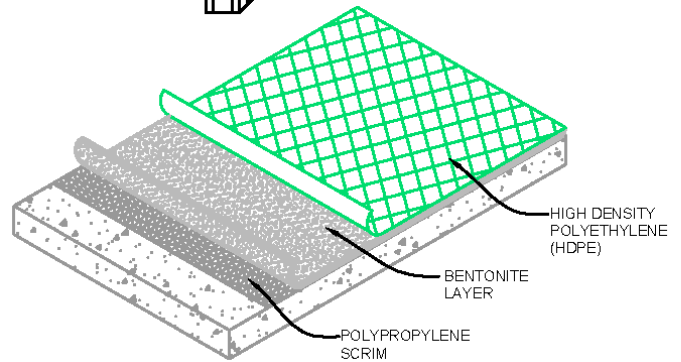
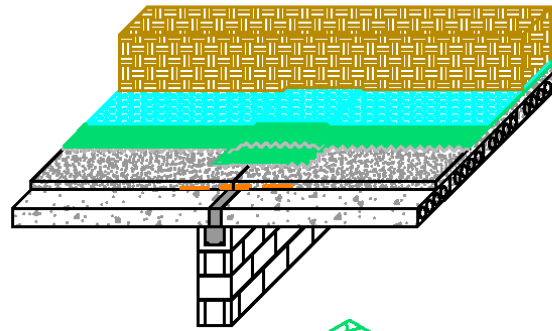


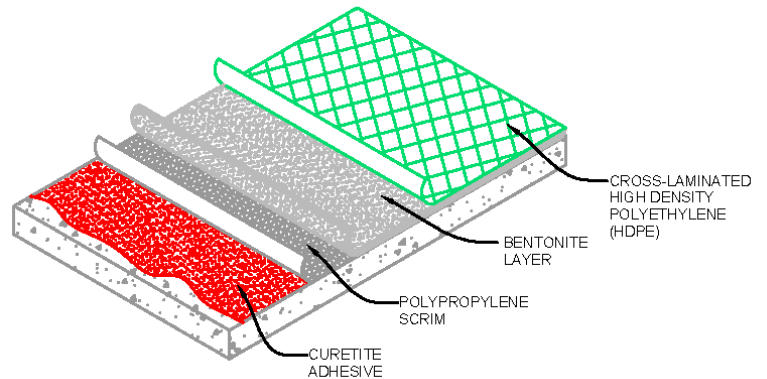
TEGRA SEAL

Done Once. Done Right.

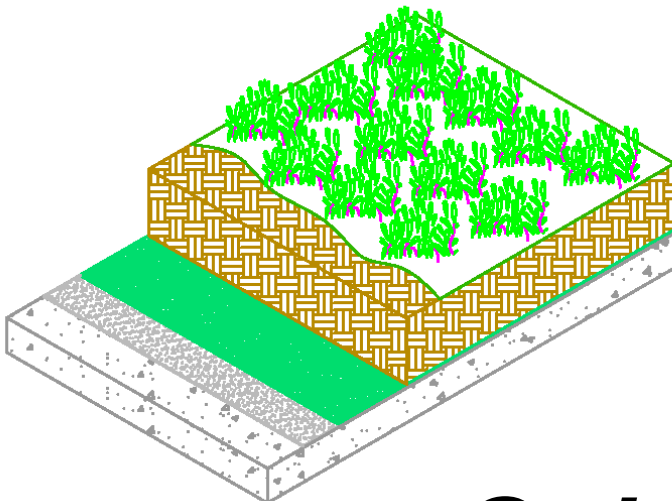
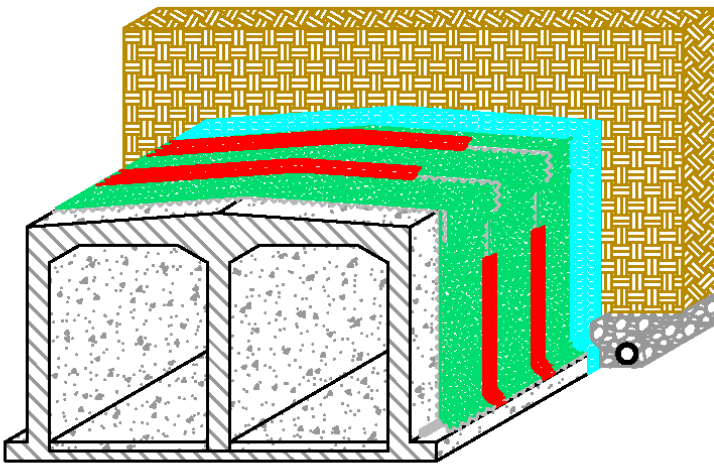
Book 3: Decks, Tunnels, Planters



TEGRATITE PLUS



TEGRASEAL 500 OR 1000
WITH CURETITE ADHESIVE



Installation Guidelines *and* Details



INSTALLATION GUIDELINES

Deck, Tunnels, Planters

TegraTite, TegraTite Plus, or TegraSeal 500 or 1000 combines the swelling properties of bentonite clay with the strength and protection of virgin HDPE or cross laminated HDPE sheets to form a self-sealing waterproofing membrane. The tough HDPE membranes provide the primary waterproofing envelope while the bentonite provides the self-sealing and seaming characteristics. Both bentonite and the HDPE membrane performance life is measured in hundreds of years. The TegraTite, TegraTite Plus, or TegraSeal 500 or 1000 waterproofing systems will last the life of your structure.

GENERAL INSTRUCTIONS

- a. Protect TegraTite, TegraTite Plus, or TegraSeal 500 or 1000 from rain and elements—keep covered until installed.
- b. Ensure storage area is free from standing water and properly drained.
- c. Parge coating is not required unless the substrate is extremely rough and irregular.
- d. Remove protrusions on the concrete substrate above 3/8"; or fill void over 3/4" in depth.
- e. Use a safety knife to cut and trim the membranes.
- f. Install with bentonite towards the concrete.
- g. Tape seams with TegraSeal Seam Tape or TegraSeal Bitumen Tape.
- h. Cover installation with clean backfill as soon as possible (if to be left exposed for extended periods, cover with suitable protection; ie. board or insulation).

PREPARATION:

1. Concrete deck/wall/substrate
 - a. Remove all sharp protrusions, mud, debris, ice or any other materials that would interfere with waterproofing system performance.
 - b. In the case of masonry walls, strike flush all joints scheduled to receive waterproofing system. (Contact TegraSeal Products, LLC. for recommendations on specific projects.)
2. Trowel TegraSeal Mastic or mortar into all the holes, honeycombs, voids or irregularities that exceed **3/8"** in depth.
3. Penetrations. (Detail 0701-40)
 - a. Fill voids with TegraSeal Mastic.
 - b. Trowel TegraSeal Mastic around penetration area.
 - c. Cut strip: 6" wide x pipe circumference plus 2" overlap. Every 1", cut 3" flanges across the TegraTite strip (Figure 1).
 - d. Wrap the strip around the pipe with flanges spreading out on the wall
 - e. Hold the collar with pipe clamp or Seam Tape and/or fasteners.
 - f. Cut out a circle the diameter of the pipe in the center of a 2' x 2' square of membrane. Cover the pipe penetration with the membrane square (if necessary, cut slit in center circle) and fasten (Detail 0701-40). Tape the seam and the penetration with TegraSeal Seam Tape or TegraSeal Bitumen Tape.
4. Drain Pipes (Detail 0703-41)
 - a. Fill any void with TegraSeal Mastic or Bentonite Granular Pack.
 - b. Cut out the inside diameter of the drain bowl in the center of a 2' x 2' square of HDPE. Place over drain bowl.



Figure 1

- c. Clamp flashing collar into place and bolt down strainer. (See drain manufacturer details for transition to membrane or contact TegraSeal Products, LLC.)
5. Use double layer of TegraTite membrane over construction or precast joints (Details 0703-30, 0703-32) with backfill cover or with pavers.
6. Sweep deck clean.
7. Contact TEGRASEAL whenever elevated conditions of acid, alkali, or salt brine exist.

INSTALLATION:

8. Apply TegraSeal Mastic cant in vertical inside corners.
 9. Pour a 2" cant of TegraSeal Granular Pack at horizontal transitions.
 10. Unroll waterproofing membrane with the bentonite side towards the concrete substrate, starting from the lowest points and moving to the highest points. Overlap and stagger the seams 1-1/2" to 3" (Detail 0703-01, 0703-02).
 11. Overhang horizontal to vertical transition with 6" of waterproofing membrane past the construction joint (Detail 0703-20).
 12. For inside corners: (Detail 0703-60)
 - a. Cut vertical slice in the waterproofing membrane at the footing and fold overlap in the corner.
 - b. Secure with a nails.
 13. For outside corners against the deck: (Detail 0703-61)
 - a. In an 8" x 8" square of waterproofing membrane, cut out two triangles leaving a 2" x 4" strip from the center toward one edge and two additional flanges (Figure 2).
 - b. Secure the square at the outside corner.
 - c. Cut vertical slice in the waterproofing membrane at the footing and fold around corner.
 - d. Secure flaps with nails.
 14. Tape all seams with TegraSeal Seam Tape or TegraSeal Bitumen Tape as shown.
 15. Terminate at finished grade with a continuous strip of TegraSeal Termination Bar or TegraSeal Bitumen Tape. (Details 0702-35).
- Note:** Make certain that waterproofing extends up to or above the finished grade line.

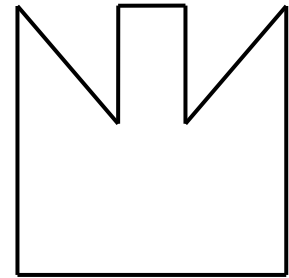


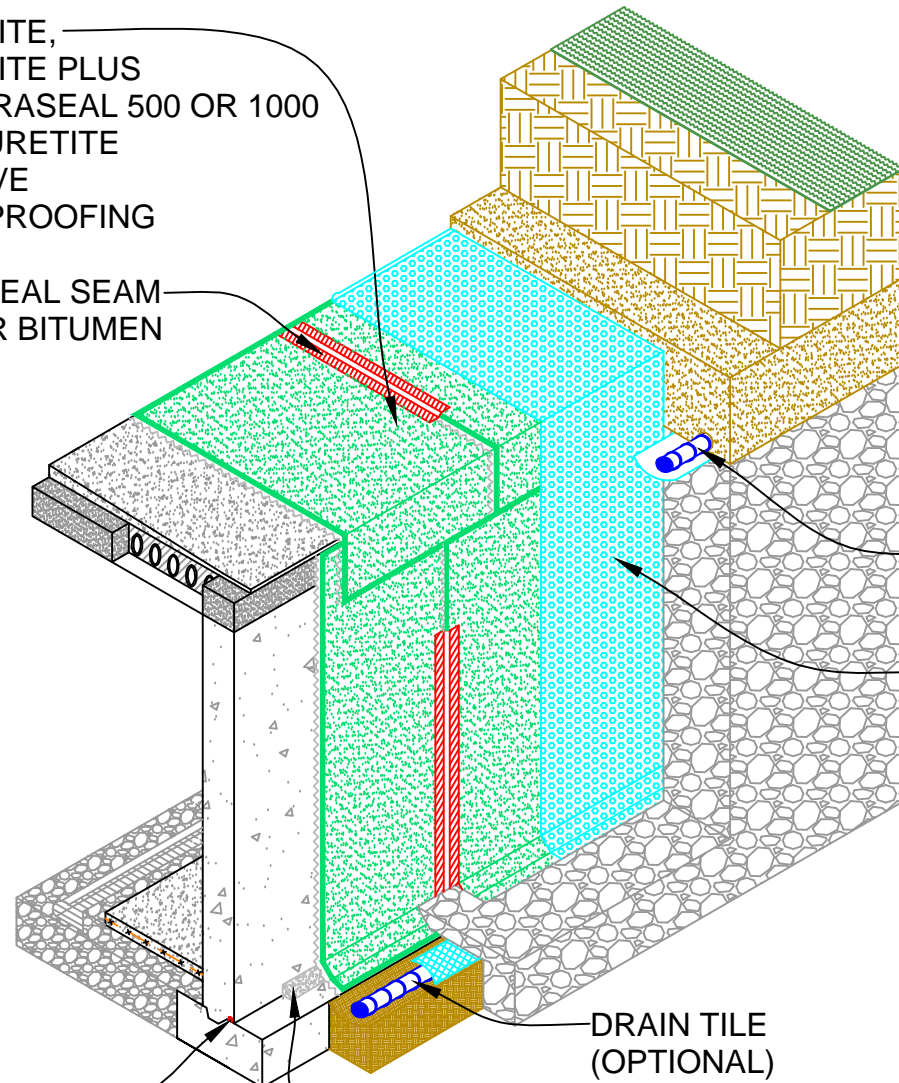
Figure 2

BACKFILL:

16. The TegraTite, TegraTite Plus, or TegraSeal 500 or 1000 waterproofing systems seldom require additional protection unless the backfill contains substantial amounts of lava rock, basalt, or other coarse or highly abrasive materials. (Contact TEGRASEAL for recommendations if air voids of 3/4" or larger are trapped against walls.)
17. Even though the HDPE side of TegraTite protects it from weather and subsequent trades, it is still advisable to place and compact backfill as soon as possible after installation.
18. Compact backfill to at least 85% Modified Proctor Density.

TEGRATITE,
TEGRATITE PLUS
OR TEGRASEAL 500 OR 1000
WITH CURETITE
ADHESIVE
WATERPROOFING

TEGRASEAL SEAM
TAPE OR BITUMEN
TAPE



DRAIN TILE
(OPTIONAL)

DRAIN BOARD
(OPTIONAL)

DRAIN TILE
(OPTIONAL)

TEGRASTOP
WATERSTOP

TEGRASEAL
GRANULAR PACK
(2" CANT)

TEGRA SEAL
Done Once. Done Right.

Tel: 952-888-1816
Web: www.tegraseal.com

TYPICAL UNDERGROUND WALL SECTION

Details:
PLAZA WATERPROOFING

Date Issued:
05/07/2010

Scale:
NONE

Drawing No.:
0703-01

DRAIN BOARD
(OPTIONAL)

TEGRATITE,
TEGRATITE PLUS
OR TEGRASEAL 500 OR 1000
WITH CURETITE
ADHESIVE
WATERPROOFING

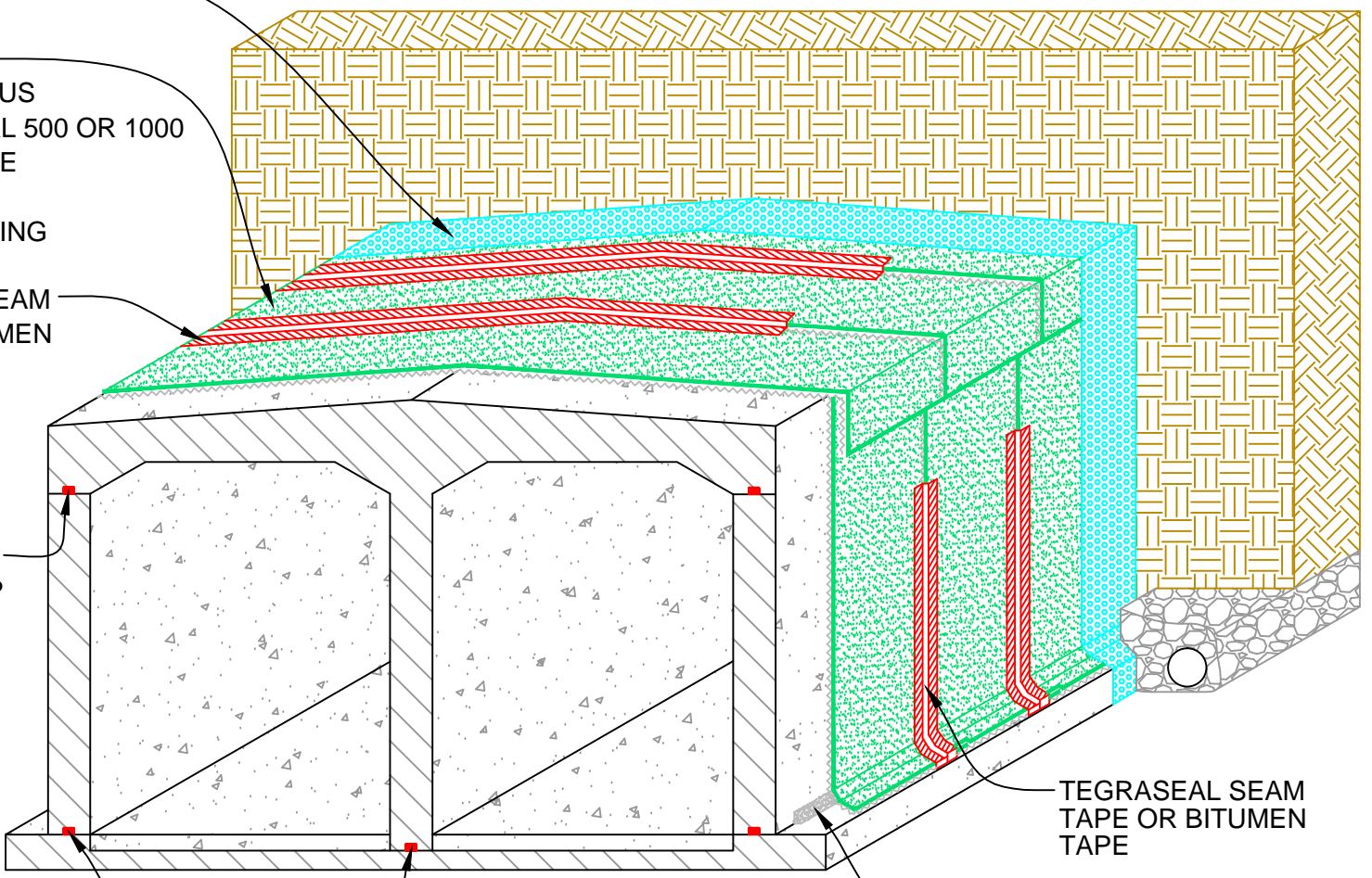
TEGRASEAL SEAM
TAPE OR BITUMEN
TAPE

TEGRASTOP
WATERSTOP

TEGRASTOP
WATERSTOP

TEGRASEAL SEAM
TAPE OR BITUMEN
TAPE

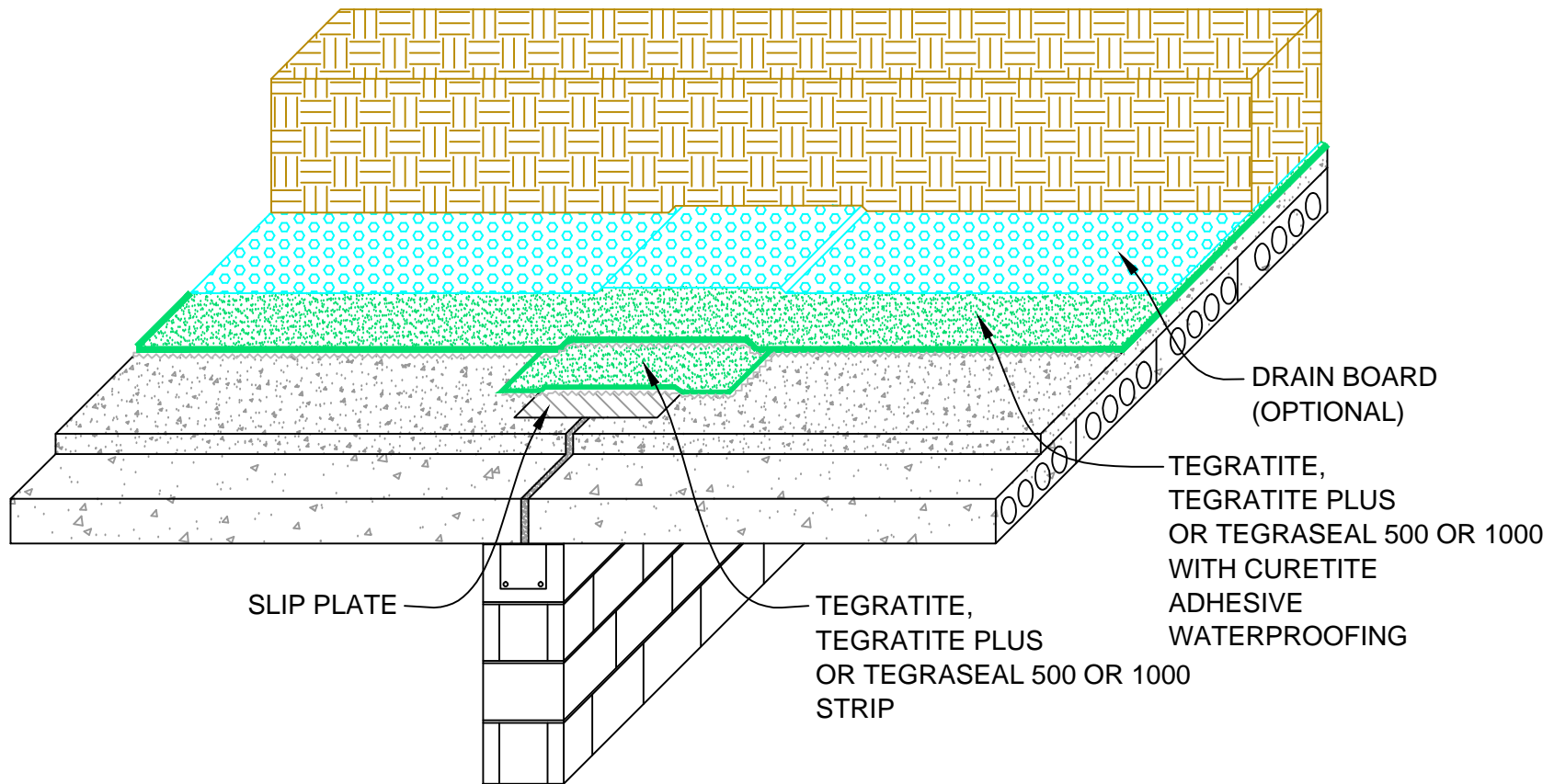
TEGRASEAL
GRANULAR PACK
(2" CANT)



Tel: 952-888-1816
Web: www.tegraseal.com

CUT AND COVER SUBWAY OR TUNNEL

Details: PLAZA WATERPROOFING	
Date Issued: 05/07/2010	
Scale: NONE	Drawing No.: 0703-02



Tel: 952-888-1816
 Web: www.tegraseal.com

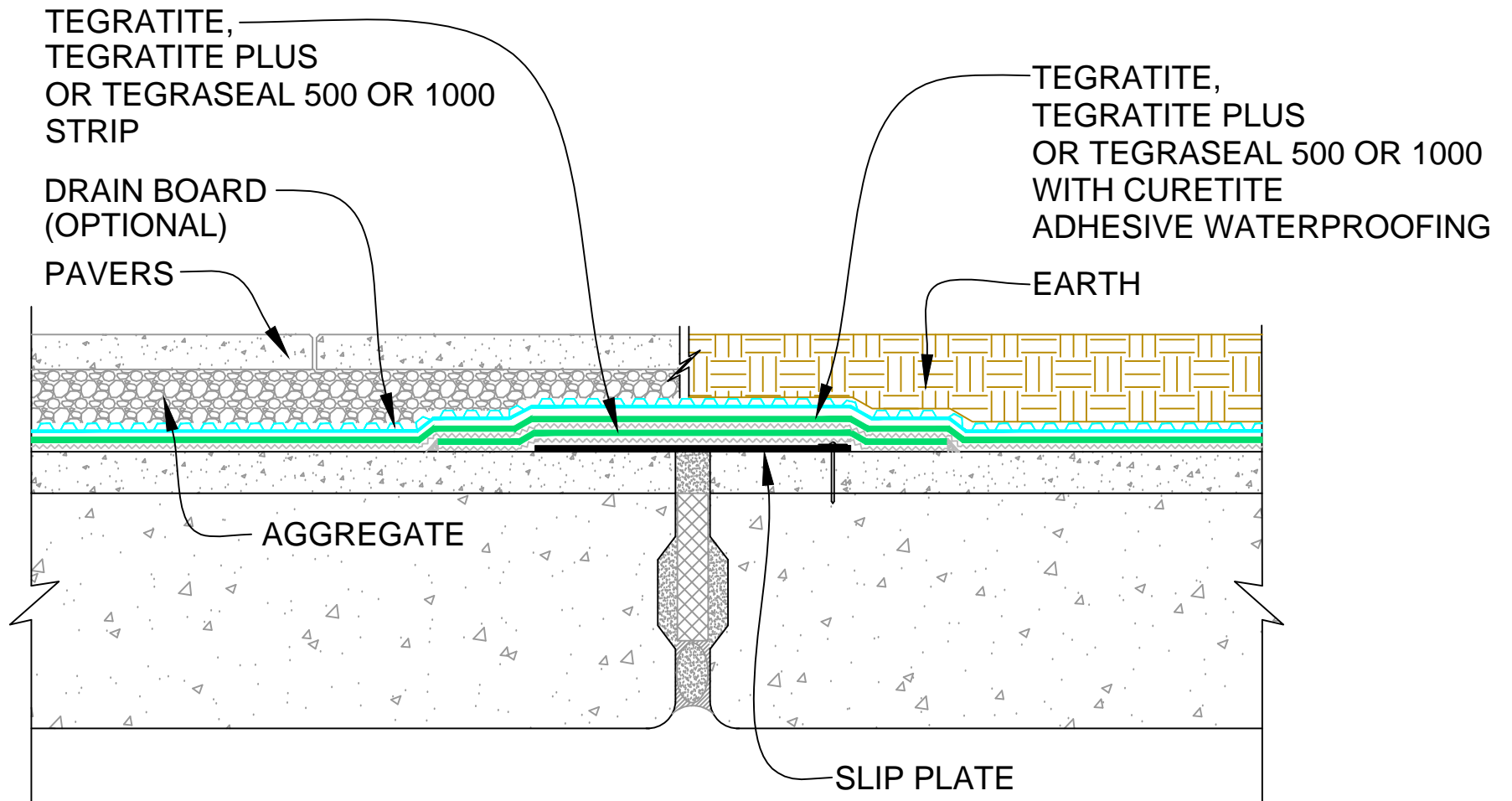
WATERPROOFING ON PRESTRESSED PLANK

Details:
 PLAZA WATERPROOFING

Date Issued:
 05/07/2010

Scale:
 NONE

Drawing No.:
 0703-30



TEGRASEAL
Done Once. Done Right.

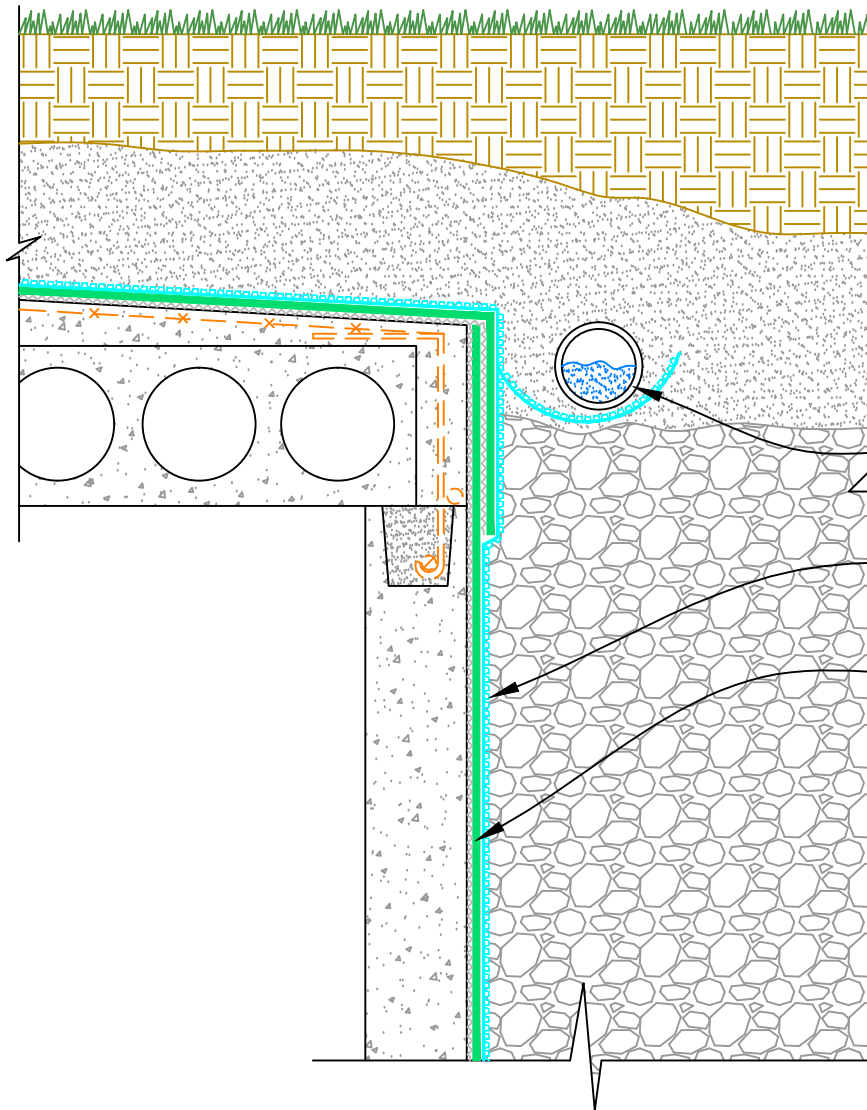
Tel: 952-888-1816
Web: www.tegraseal.com

**THERMAL BREAK
(EXPANSION OR ISOLATION JOINT)**

Details:
PLAZA WATERPROOFING

Date Issued:
05/07/2010

Scale: NONE Drawing No.: 0703-32



DRAIN TITLE
(OPTIONAL)

DRAIN BOARD
(OPTIONAL)

TEGRATITE,
TEGRATITE PLUS
OR TEGRASEAL 500 OR 1000
WITH CURETITE
ADHESIVE
WATERPROOFING

TEGRASEAL
Done Once. Done Right.

Tel: 952-888-1816
Web: www.tegraseal.com

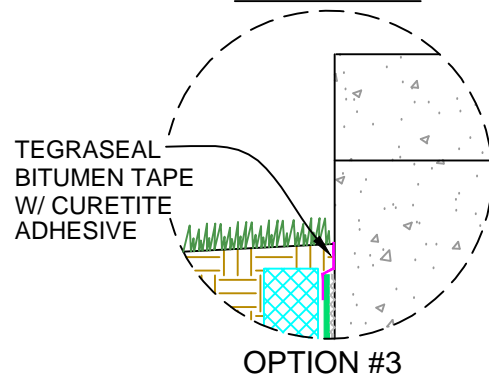
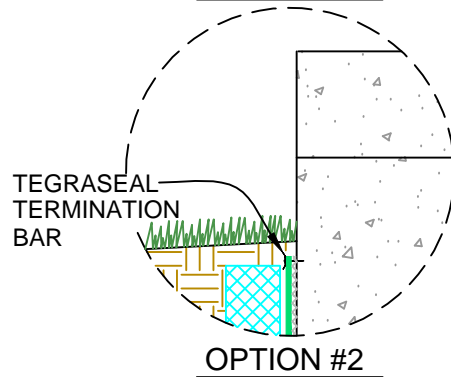
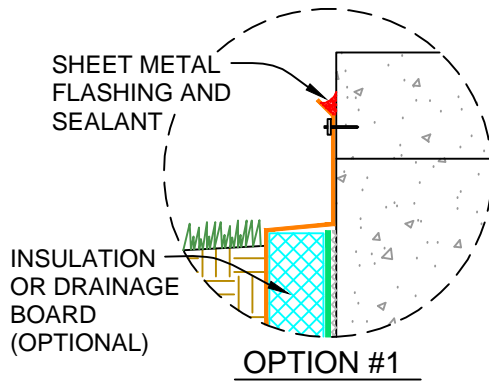
**ROOF/WALL TRANSITION DETAIL
SHOWING OPTIONAL SURFACE DRAIN**

Details:
PLAZA WATERPROOFING

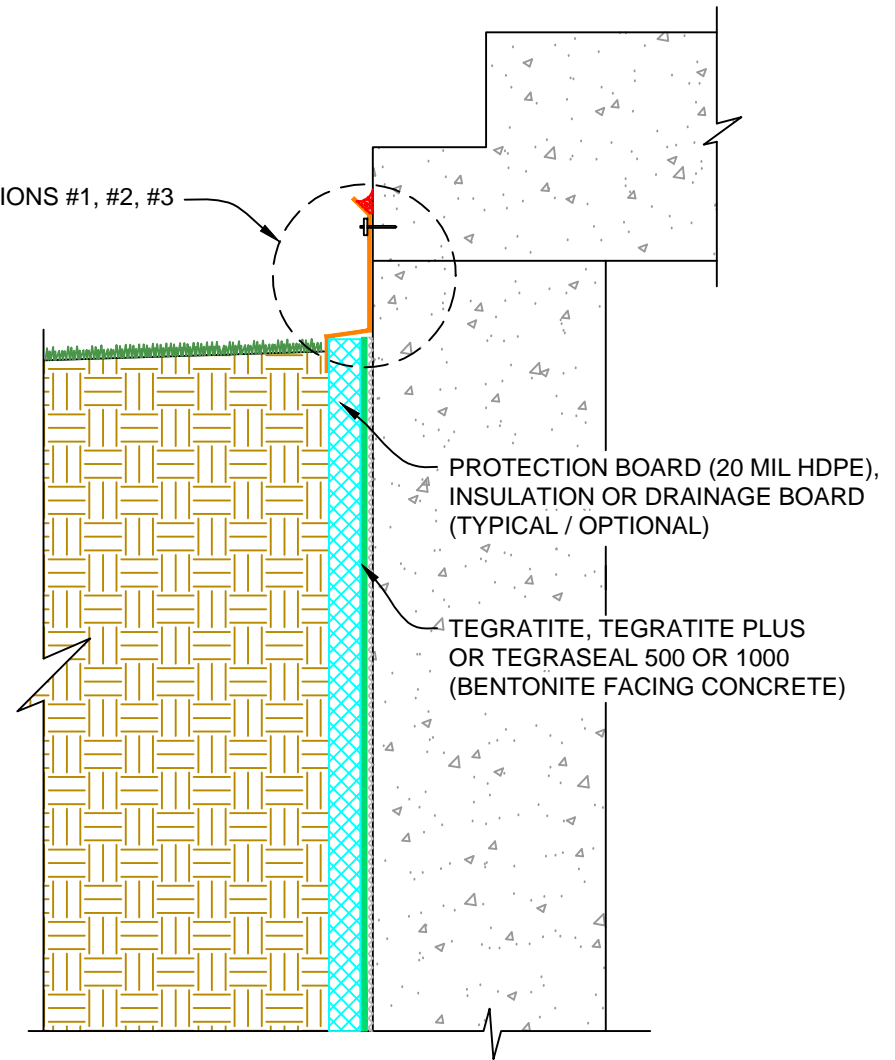
Date Issued:
05/07/2010

Scale:
NONE

Drawing No.:
0703-20



SEE OPTIONS #1, #2, #3



Tel: 952-888-1816
Web: www.tegraseal.com

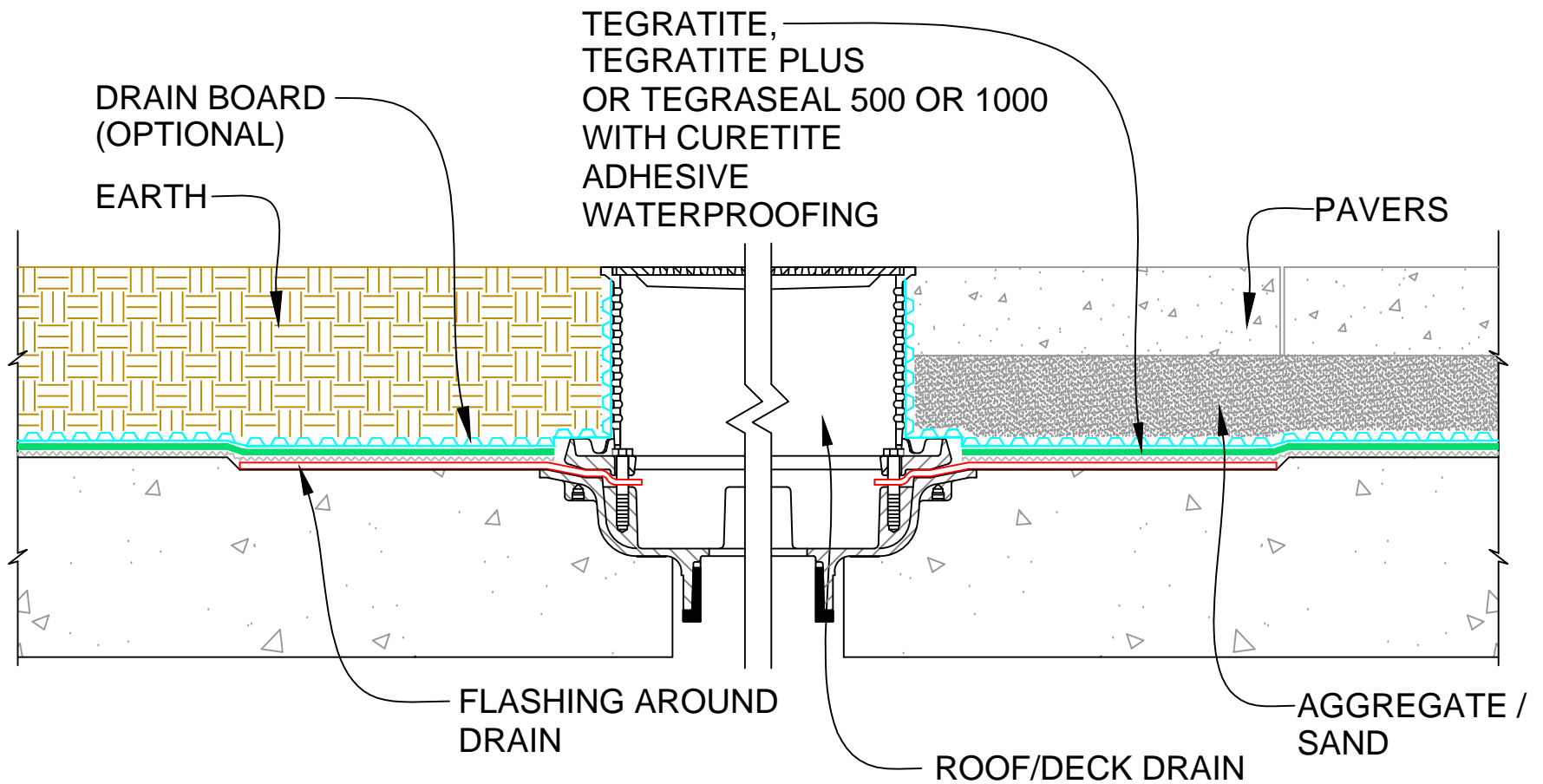
GRADE LINE TERMINATION

Details:
TERMINATION DETAIL

Date Issued:
03/29/2010

Scale:
NONE

Drawing No.:
0703-35



TEGRASEAL
Done Once. Done Right.

Tel: 952-888-1816
Web: www.tegraseal.com

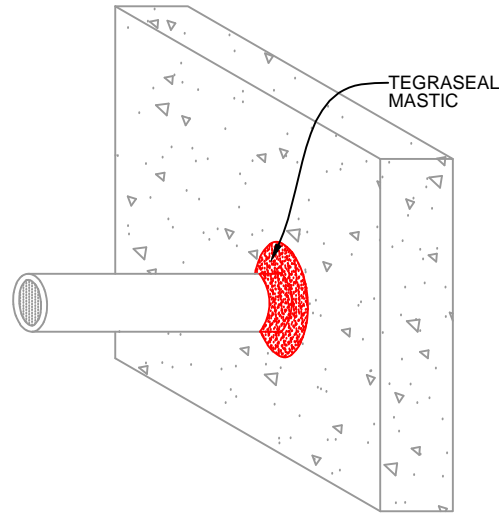
TYPICAL DRAIN DETAIL

Details:
PLAZA WATERPROOFING

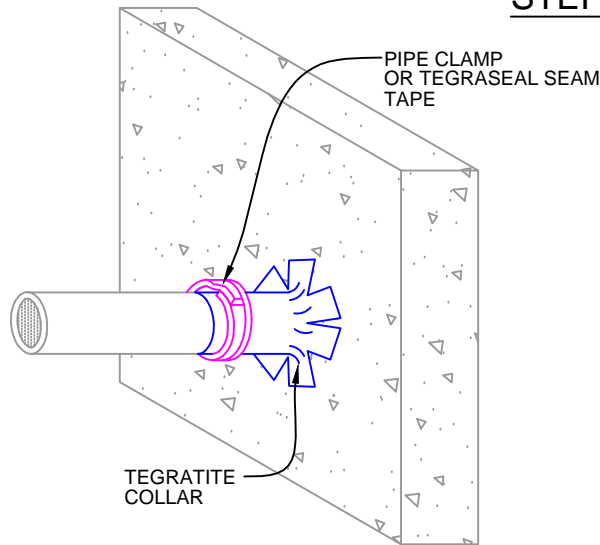
Date Issued:
05/07/2010

Scale:
NONE

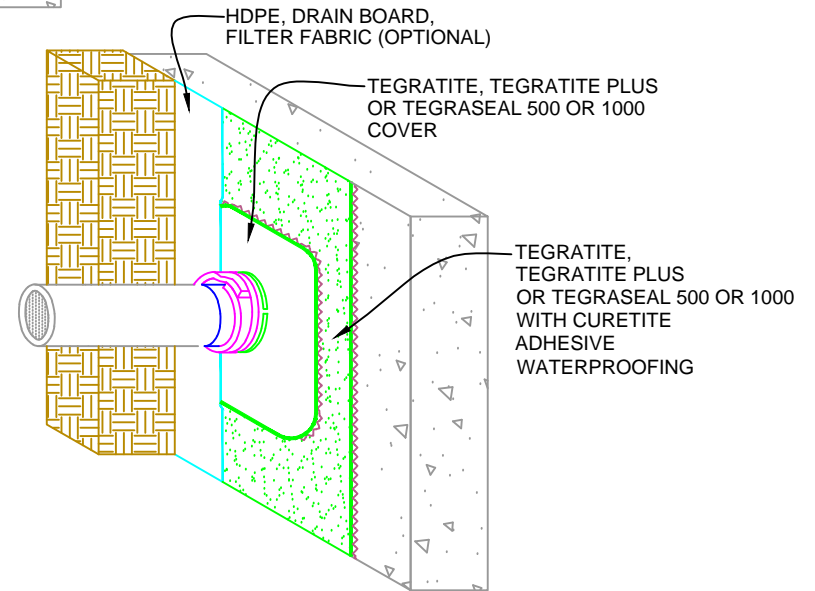
Drawing No.:
0703-41



STEP ONE



STEP TWO



STEP THREE



Tel: 952-888-1816
 Web: www.tegraseal.com

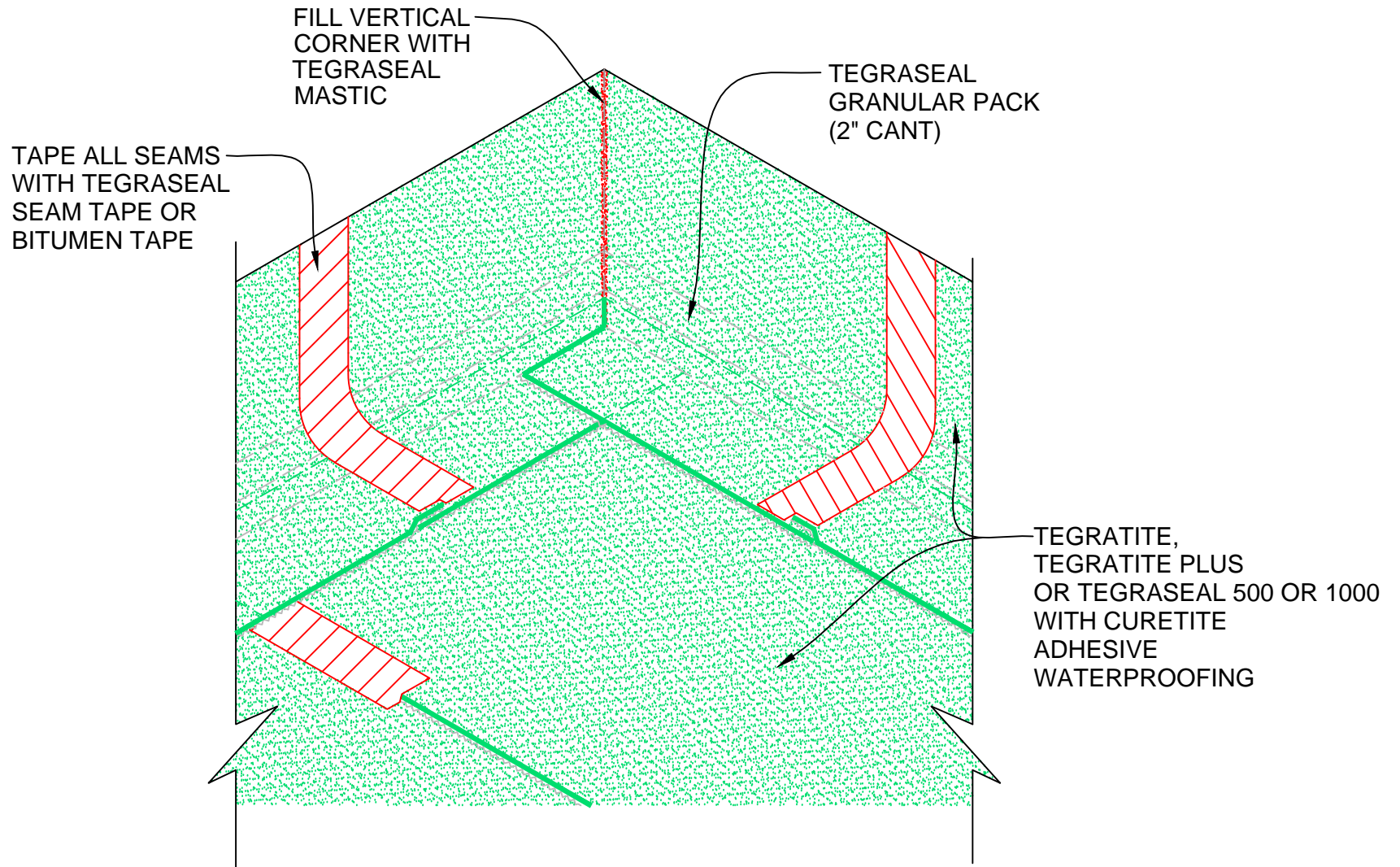
PIPE PENETRATION (TYPICAL)

Details:
 HORIZONTAL PENETRATION

Date Issued:
 03/15/2010

Scale:
 NONE

Drawing No.:
 0703-40



Tel: 952-888-1816
 Web: www.tegraseal.com

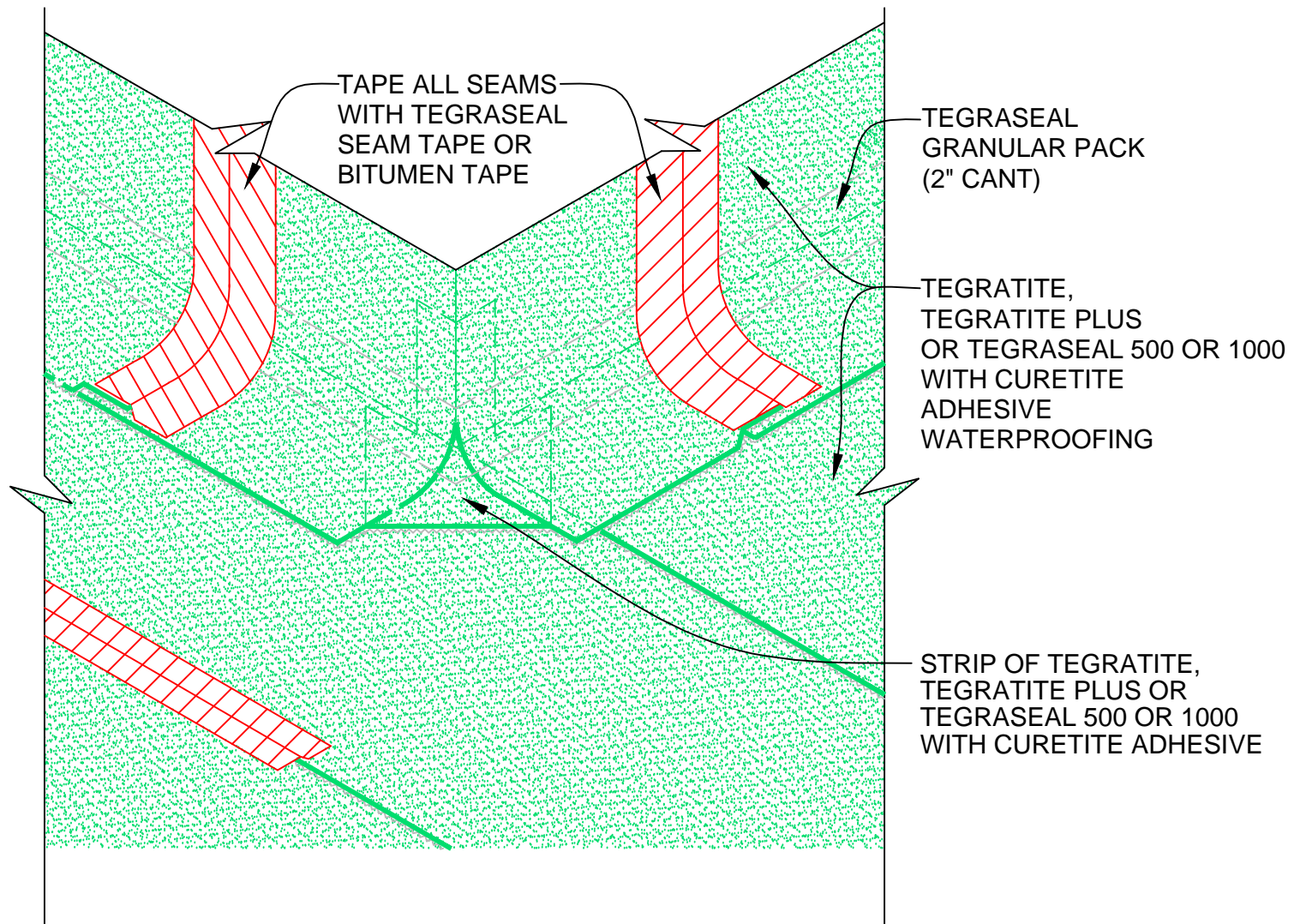
INSIDE CORNER (TYPICAL)

Details:
 PLAZA WATERPROOFING

Date Issued:
 05/07/2010

Scale:
 NONE

Drawing No.:
 0703-60



TEGRA SEAL
Done Once. Done Right.

Tel: 952-888-1816
Web: www.tegraseal.com

DECK TO WALL TRANSITION OUTSIDE CORNER (TYPICAL)

Details:
PLAZA WATERPROOFING

Date Issued:
05/07/2010

Scale:
NONE

Drawing No.:
0703-61



TegraSeal Products, LLC
9231 Penn Ave S, Suite 2A
Bloomington, MN 55431
Toll-free: 888-815-1816
Tel: 952-888-1816
Fax: 952-888-1786
www.tegraseal.com

This manual is provided as a general guideline for the typical installation of TegraSeal Waterproofing Membranes and is not intended to cover all potential installation details. The information provided in this manual is correct to the best of our knowledge and belief at the date of its publication. Please contact TegraSeal for additional information.