

DRAIN BOARD
(OPTIONAL)

TEGRATITE,
TEGRATITE PLUS
OR TEGRASEAL 500 OR 1000
WITH CURETITE
ADHESIVE
WATERPROOFING

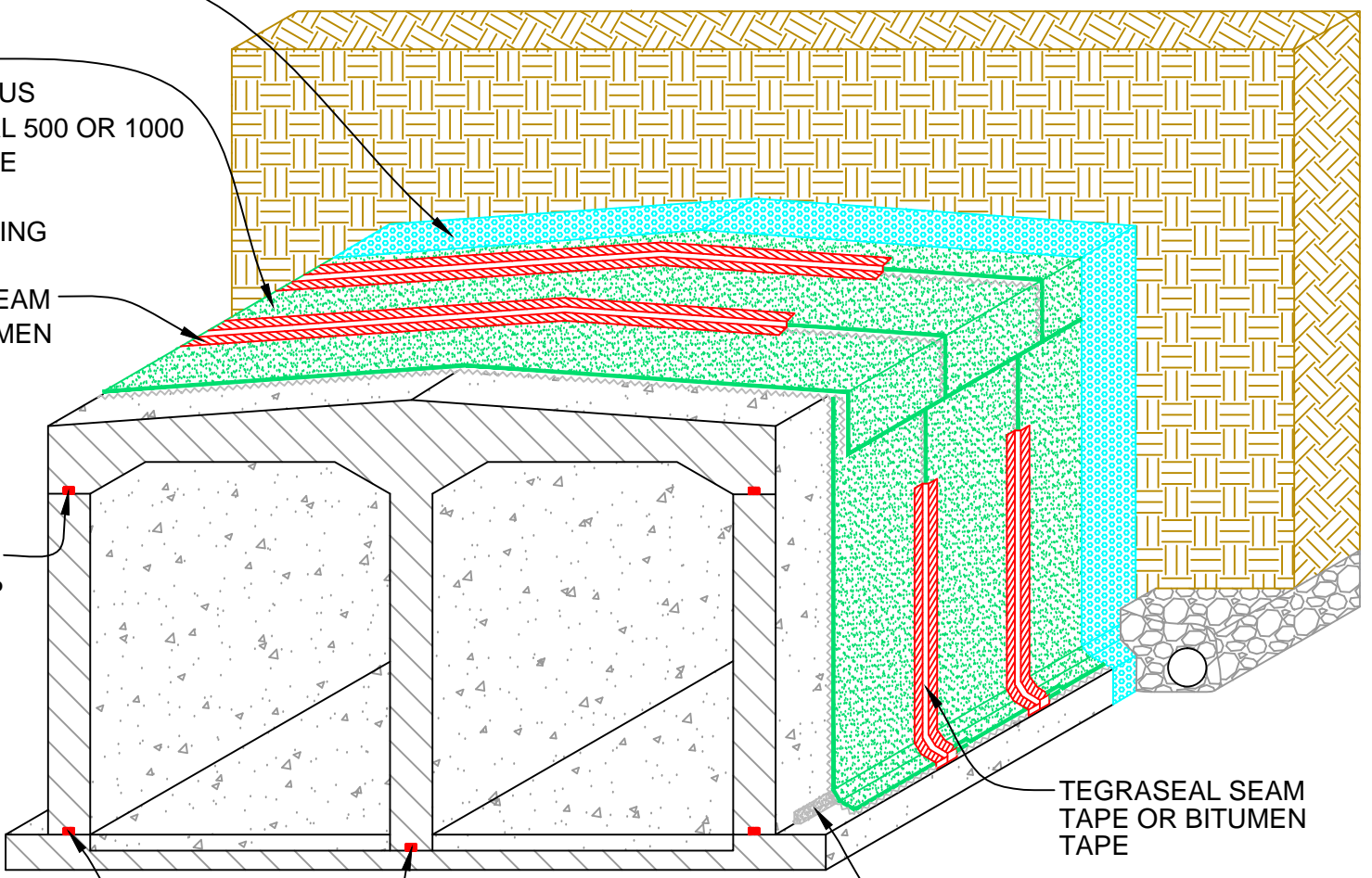
TEGRASEAL SEAM
TAPE OR BITUMEN
TAPE

TEGRASTOP
WATERSTOP

TEGRASTOP
WATERSTOP

TEGRASEAL SEAM
TAPE OR BITUMEN
TAPE

TEGRASEAL
GRANULAR PACK
(2" CANT)



Tel: 952-888-1816
Web: www.tegraseal.com

CUT AND COVER SUBWAY OR TUNNEL

Details: PLAZA WATERPROOFING	
Date Issued: 05/07/2010	
Scale: NONE	Drawing No.: 0703-02