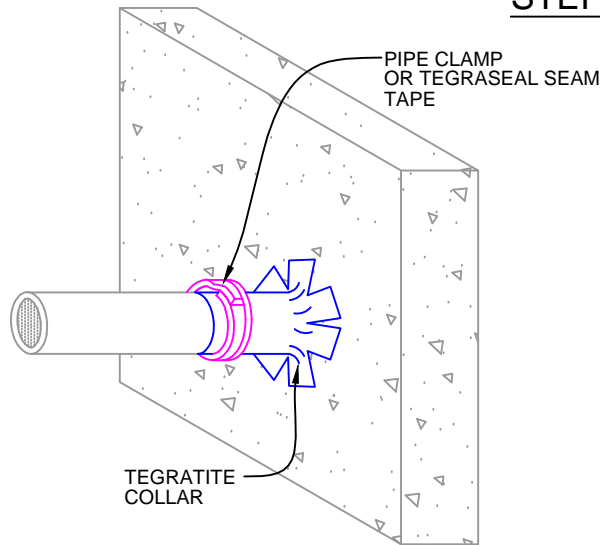
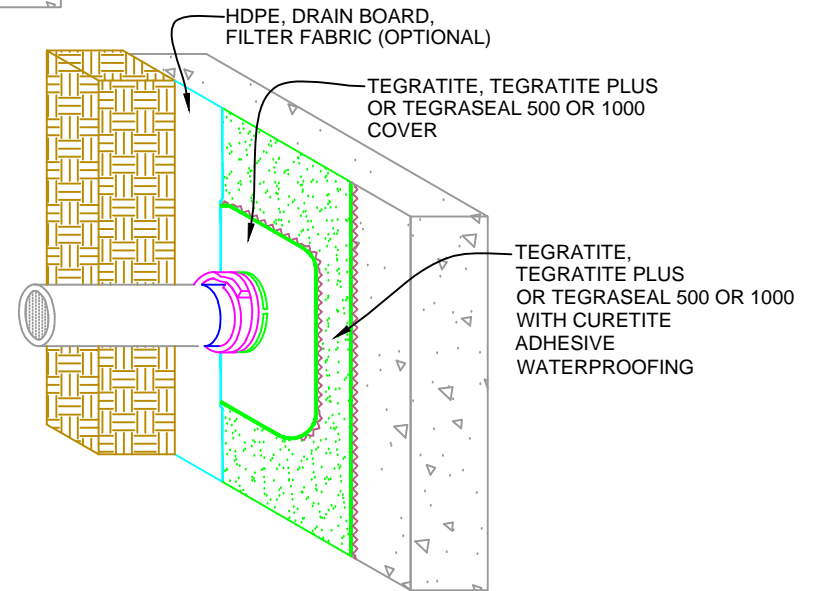


STEP ONE



STEP TWO



STEP THREE



Tel: 952-888-1816
 Web: www.tegraseal.com

PIPE PENETRATION (TYPICAL)

Details:
 HORIZONTAL PENETRATION

Date Issued:
 03/15/2010

Scale:
 NONE

Drawing No.:
 0703-40